

**ELMO**

# SLIDE PROJECTORS

*Omnigraphic*

**301**

**301AF**

**301Pro-AF**



**ELMO** – the AV innovators since 1921

# NEW HIGHER PROFESSIONAL STANDARDS NEW ELMO OMNIGRAPHIC SLIDE PROJECTORS

*Backed by more than 70 year's experience as the leading projector manufacturer, the Omnigraphic 301, 301AF & 301Pro-AF are featured by ELMO as the new industry standard for slide projectors... with true professional quality, not merely upgraded amateur models.*

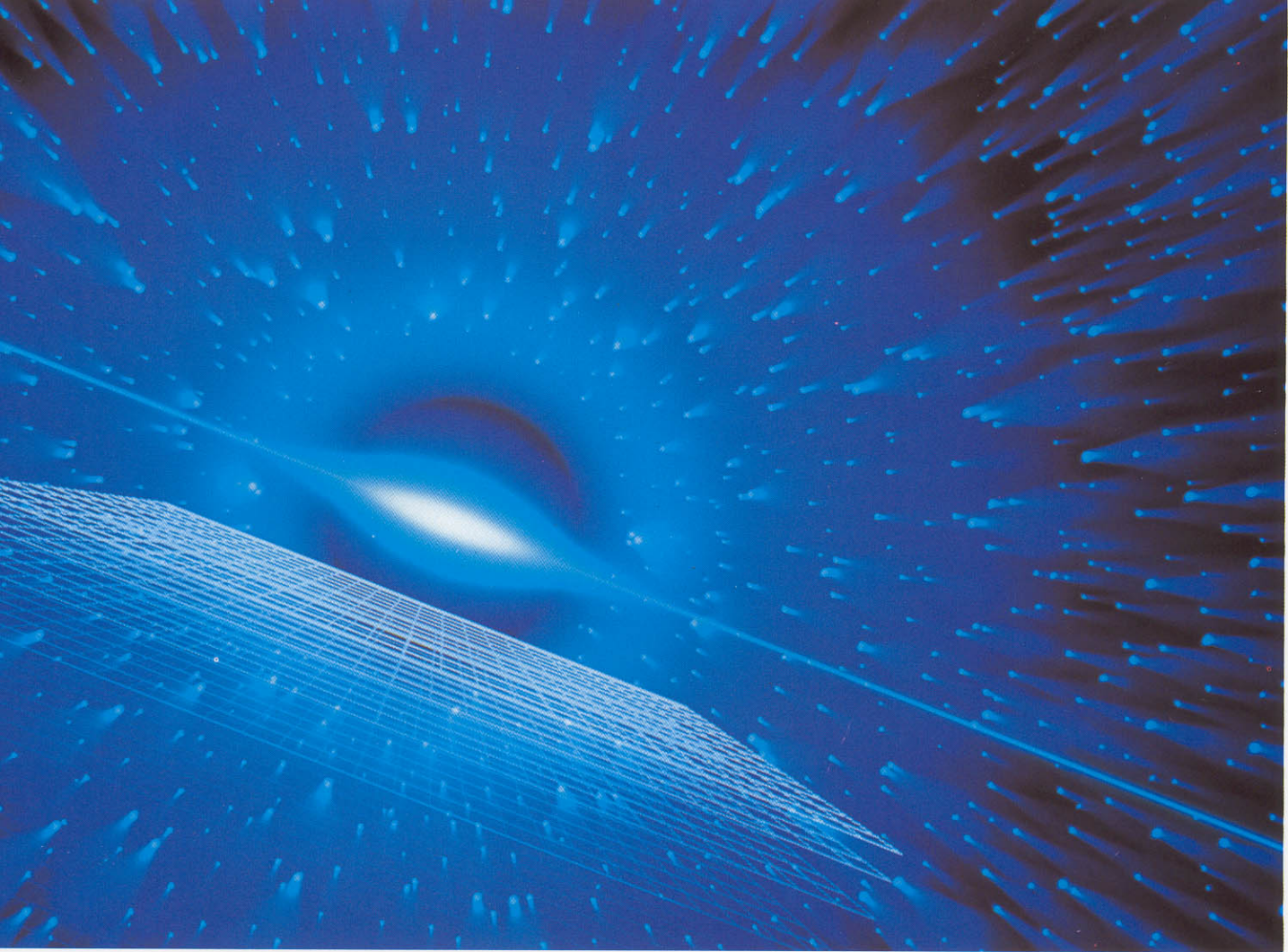
A great many of Omnigraphic series projectors have been selected by professionals as being the most reliable machines for multi-image presentations in commercial entertainment and large exhibitions worldwide. Why? only the Omnigraphic projectors have all of the following features:



- \*3D registration by a Gravity-feed projection system
- \*Reliable and heavy-duty mechanism:
  - Rugged Die-cast aluminum body, three separate built-in direct drive motors for cooling, slide advance and focusing
- \*Fast slide changing... approx. 0.8 sec./frame (72 slides per minute)
- \*Brighter image with 120V-300W ANSI ELH halogen lamp
  - Also accepts extra-bright ANSI ENG and extra long-lasting ANSI ENH lamp
- \*Built-in automatic lamp changer (Model 301Pro-AF)
- \*Built-in spare lamp holder (Models 301/301AF)
- \*Hi-Normal lamp switch (Model 301Pro-AF)
- \*Superb Elmo optics design including the high-quality Elmo slide lenses (option):
  - Rack-focus type lenses for model 301 & both rack-focus and spiral-focus types for models 301AF/301Pro-AF
- \*Accepts most standard circular trays & programmers/dissolves
- \*Built-in variable interval timer (Model 301Pro-AF)
- \*Forward, reverse and focus control with an optional remote control unit
- \*Rear mounted controls:
  - Std. 7P remote and DIN 8P special application connectors
- \*Fast accurate automatic (plus manual over-ride) focusing (Models 301AF/301Pro-AF)



(Rear panel with optional remote control unit)



### Omnigraphic 301Pro-AF

The ultimate professional slide projector, model Omnigraphic 301Pro-AF with the additional special features:

- Built-in automatic lamp changer
- Variable slide change timer from approx. 2 to 30 seconds
- Hi-Normal brightness change

### OMNIGRAPHIC PROJECTION LENSES

Professional quality flat-field and P.C. (perspective control) lenses. High definition and brilliant light transmission.



- 38mm (1.5") P.C., f/2.8
- 50mm (2.0") P.C., f/2.8
- 50mm (2.0"), f/2.8
- 85mm (3.3"), f/2.8
- 140mm (5.5"), f/2.9
- Conversion lens for 140mm Lens into 120mm (4.7") or 165mm (6.5")
- 70~120mm (2.8"~4.7") Zoom, f/3.5
- 70~125mm (2.8"~4.9") Zoom, f/2.8
- 100~150mm (3.9"~5.9") Zoom, f/3.5
- 180~300mm (7.1"~11.8") Zoom, f/4.5
- 300~450mm (11.8"~17.7") Zoom, f/4.5

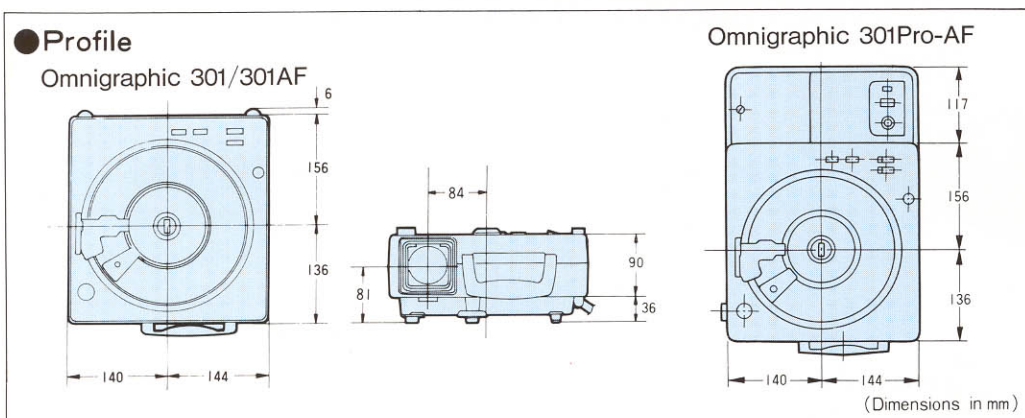
# SPECIFICATIONS

Model	Omnigraphic 301	Omnigraphic 301AF	Omnigraphic 301Pro-AF
Power source	AC single phase 120V, 60Hz		
Power consumption	350W		
Projection lamp	ANSI ELH 120V-300W halogen lamp (Extra bright ANSI ENG 120V-300W & long life ANSI ENH 120V-250W may be used.)		
Indicator for lamp	Built-in		
High-Normal lamp change	_____	_____	Built-in
Auto-lamp changer	_____	_____	Built-in for instant and automatic lamp change for main lamp burnt-out during the projection
Timer	_____	_____	Built-in
Slide size	2×2 in. mount slide (max. recommended image size 23×35mm)		
Compatible slide trays	Elmo/Creatron professional universal slide tray Kodak Ektagraphic universal slide tray, model 2 (80-slide capacity) Kodak Carousel Transvue 80 slide tray (80-slide capacity)		
Projection lenses	Elmo rack-focus (Model 301) or rack-focus/spiral-focus (Model 301AF/301Pro-AF) lenses; 70-125mm Pro Zoom/70-120mm Zoom/100-150mm Zoom/180-300mm Zoom/300-450mm Zoom/50mm/85mm/140mm/38mm P.C./50mm P.C. plus most other rack-focus (Model 301) or rack-focus/spiral-focus (Model 301AF/301Pro-AF) lenses compatible with Kodak Ektagraphic/Carousel series projectors		
Slide transport	Forward, reverse and manual select buttons provided. Optional remote control unit.		
Focusing	Manual plus optional remote focus	Manual/Auto-focus plus optional remote focus	Manual/Auto-focus plus optional remote control
Remote-accessory receptacle	Standard 7P connector, DIN 8P special application connector		
Zero position return	Controlled through special application receptacle		
Elevation	Up to 8°		
Power supply cord	2.7m (9ft), permanently attached		
Dimensions (w/o lens & tray)	284×292×126mm (11.2×11.5×5.0 in.)	284×292×126mm (11.2×11.5×5.0 in.)	284×409×126mm (11.2×16.1×5.0 in.)
Weight (w/o lens & tray)	7.0kgs (15.5 lbs)	7.0kgs (15.5 lbs)	8.5kgs (18.8 lbs)

NOTE : Dimensions & weight are approximate.

Design & specifications are subject to change without prior notice.

Kodak/Ektagraphic/Carousel/Transvue are trademarks of Eastman Kodak Company.



# The Business of Presentation

## ELMO Mfg. Corp.

1478 Old Country Road,  
Plainview, NY 11803-5034, U.S.A.  
Tel. 516-501-1400 Fax. 516-501-0429  
E-mail: elmo@elmo-corp.com  
Web: www.elmo-corp.com

21720 Nordhoff Street,  
Chatsworth,  
CA 91311-5826,  
U.S.A.  
Tel. 818-346-4500  
Fax. 818-998-4186

## ELMO Canada Mfg. Corp.

44 West Drive, Brampton,  
Ontario, L6T 3T6,  
Canada  
Tel. 905-453-7880  
Fax. 905-453-2391  
E-mail: elmo.canada@cimtegration.com

## ELMO (Europe) G.m.b.H.

Karl-Rudolf-Str. 178,  
40215 Düsseldorf,  
Germany  
Tel. 0211-376051-53  
Fax. 0211-376630  
E-mail: elmo@europe@AOL.com

**ELMO** ELMO CO., LTD.

6-14, Meizen-cho, Mizuho-ku,  
Nagoya, 467-8567 Japan  
E-mail: elmo@gix.or.jp

Additional technical information is available from any of the following subsidiary companies:

Printed in Japan (S)11/1998